

Wellington^(R) ECR2 13W

High performance commercial refrigeration fan motor

- Dual voltage
- High efficiency
- High power factor
- Silent operation
- Variable speed
- Drop-in replacement for Q frame or unit bearing motors
- RoHS and REACH compliant



Specifications	
Nominal voltage	100-240V, 50-60Hz
Output power range	0-13W
Speed range	300-1800 RPM
Max. efficiency	70%
Max. input current	0.10A (@230V), 0.20A (@115V)
Power factor	Up to 0.95 depending on load and voltage
EMC protection	4000V (per EN61000-6-2)
Noise	SWL 37 dBA @ 1300 RPM (per ISO1680)
Insulation class	Class A (105°C)
Thermal protection	Electronic Protection. Locked rotor and automatic thermal
Refrigerant compatibility	HFC, CO2 and hydrocarbon (per IEC 60335-2-89 Annex BB)
ATEX (EX)	IEC 60079-7 Group 2, Category 3G
IP rating	IP67
Operating temp. range	-30°C to +50°C (-22°F to +122°F)
Storage temp. range	-40°C to +80°C (-40°F to +176°F)
Weight (max)	0.54kg (1.2lb)
Approvals	

Suitable fans

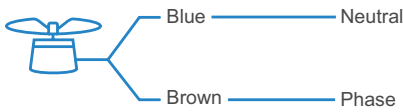
	150mm (6") & 172mm (7")	200mm (8")				230mm (9")		254mm (10")			
		All Pitches	22°	28°	34°	40°	22°	28°	19°	22°	28°
1300 rpm											
1550 rpm											
1800 rpm											

Achieve rated rpm Does not achieve rated rpm

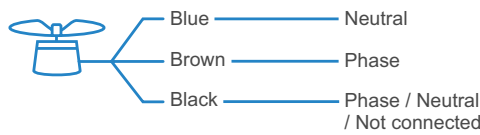
May not achieve rated rpm at all back pressures

Wiring diagram

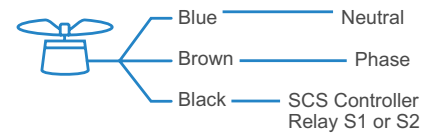
For single speed operation



For three speed or reversible operation



For variable speed operation



OEM options

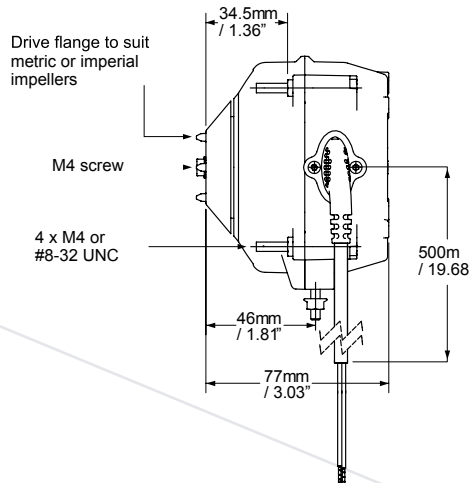
- Preprogrammed or factory/field programmable speeds
- Realtime continuously variable speed control over thirdmains wire (no extra cables required)
- Custom cable and plug options
- Metric, imperial, or custom hardware
- 3 speed, reversible, or timed-reverse options
- ATEX versions (Group2, Cat 3G)
- Food Grade rated housing option

Mounting options

- Rear Mount: 4mm self-tapping screws in 3 hole or 4 hole configuration (screws not included: available on request)
- Foot Mount: 2 studs (optional)
- Basket Mount: 4 studs
- Fan Hub: 4 stud impeller mount to suit imperial or metric impellers
- Fan Mount: M4 screw with flat washer on female shaft thread or #10-32 UNF nyloc nut on male shaft thread

Dimensions

Female shaft thread



Male shaft thread

