

Wellington ECR 1 motor with integrated electronic control

- User defined speeds and direction of rotation
- Timed reverse
- Dual speed operation
- Energy efficient
- RoHS and REACH compliant



Specifications	
Input voltage range	190-254V or 100-127V
Output power range	3-25W
Speed range	700-2300 RPM
Max. input current (rated)	0.41A
Insulation class	Class A
Thermal protection	Self-resetting thermal protection, electronic locked rotor/stall detection
Refrigerant compatibility	HFC, CO2 and hydrocarbon (per IEC 60335-2-89 Annex BB)
ATEX (EX)	ATEX (IEC 60079-7 – Group 2, Category 3G) for motor models with ECR01*X***
IP rating	IP55
Operating temp. range	-30°C to +50°C (-22°F to +122°F)
Storage temp. range	-40°C to +80°C (-40°F to +176°F)
Weight (max)	0.85kg (1.87lb)
Approvals	

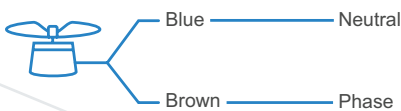
Suitable Fans*										
	150mm (6")	200mm (8")				230mm (9")		254mm (10")		
	All Pitches	22°	28°	34°	40°	22°	28°	19°	22°	28°
1300 rpm	✓	✓	✓	✓	✓	✓	✓	✓	✓	✓
1550 rpm	✓	✓	✓	✓	✓	✓	✓	✓	✓	✗
1800 rpm	✓	✓	✓	?	✗	?	✗	✗	✗	✗

* Indicative and dependent on model
 ? May not achieve rated rpm at all back pressures

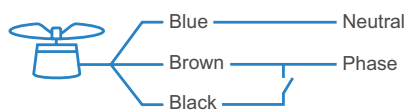
Motor	Voltage V, Hz	Current A	Speed RPM	Output Power W	Approval
ECR01B***6	230, 50 / 60	0.12	1300-1100	4-7	CE, VDE, CCC
ECR01B***4	230, 50 / 60	0.14	1250	9	
ECR01B***1	230, 50 / 60	0.21	1300	12	
ECR01B***2	230, 50 / 60	0.25	1300	16	
ECR01B***3	230, 50 / 60	0.28	1500	20	
ECR01B***5	230, 50 / 60	0.30	2300	25	
ECR01A***6	115 / 60	0.12	1300	3	UL, cUL
ECR01A***4	115 / 60	0.20	1250	7	
ECR01A***1	115 / 60	0.23	1500	9	
ECR01A***2	115 / 60	0.31	1550	12	
ECR01A***3	115 / 60	0.41	1550	16	

Wiring diagram

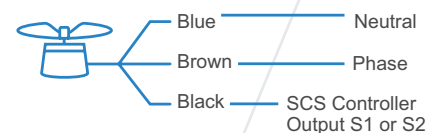
For single speed operation



For two speed or reversible operation



For variable speed operation



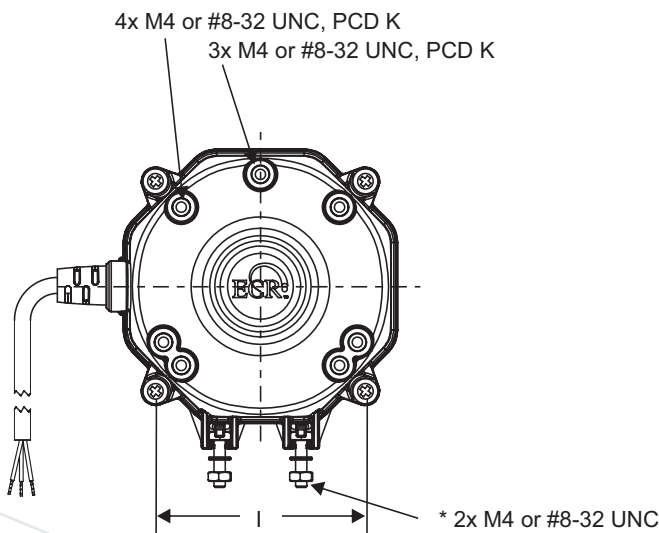
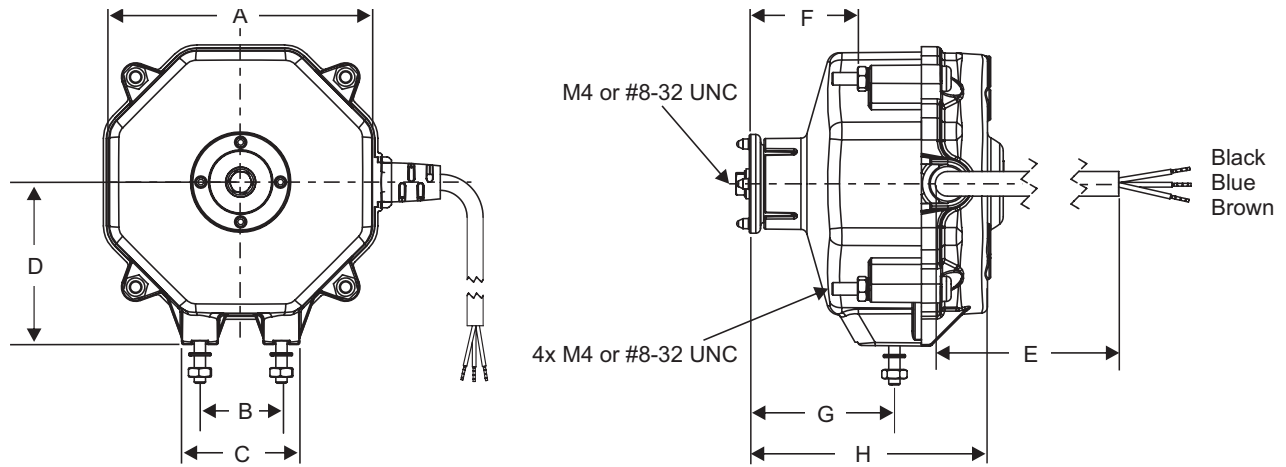
OEM options

- Preprogrammed or factory/field programmable speeds
- Realtime continuously variable speed control over third mains wire (no extra cables required)
- Custom cable and plug options
- Metric, imperial, or custom hardware
- 2 speed, reversible, or timed-reverse options
- ATEX versions (Group 2, Cat 3G)

Mounting options

- Rear Mount: insert provided where required M4 or #8/32
- Foot Mount: 2 studs (optional)
- Basket Mount: 4 studs
- Fan Mount: 4 stud impeller mount to suit imperial or metric impellers
- Fan Fixing: M4 or #8/32 screw with flat or dome washer on female shaft thread

Dimensions



Black	Control lead
Blue	Neutral
Brown	Line / Phase

Dimensions	A	B	C	D	E	F	G	H	I	K
mm	88	26	38	52	500	34.5	46	77	67	71.4
inches	3.46	1.02	1.50	2.05	19.68	1.36	1.81	3.03	2.64	2.81

* 2x M4 or #8-32 UNC threaded bolts are not included but available upon request.
K screws maximum depth is 6mm (0.23 inches).