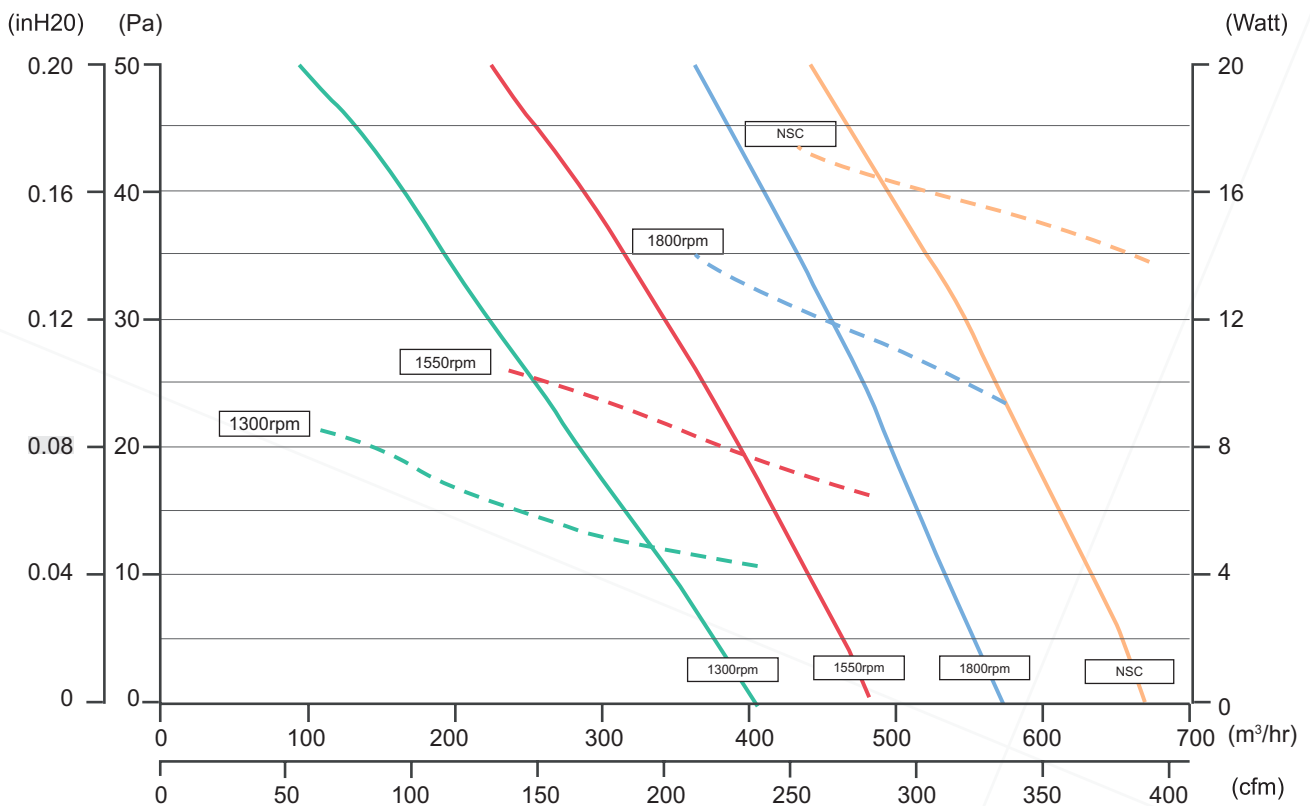


# Wellington 8 Inch high performance fan

- High efficiency
- Good pressure performance
- Imperial and metric mounting
- Quiet operation
- Robust glass-filled nylon



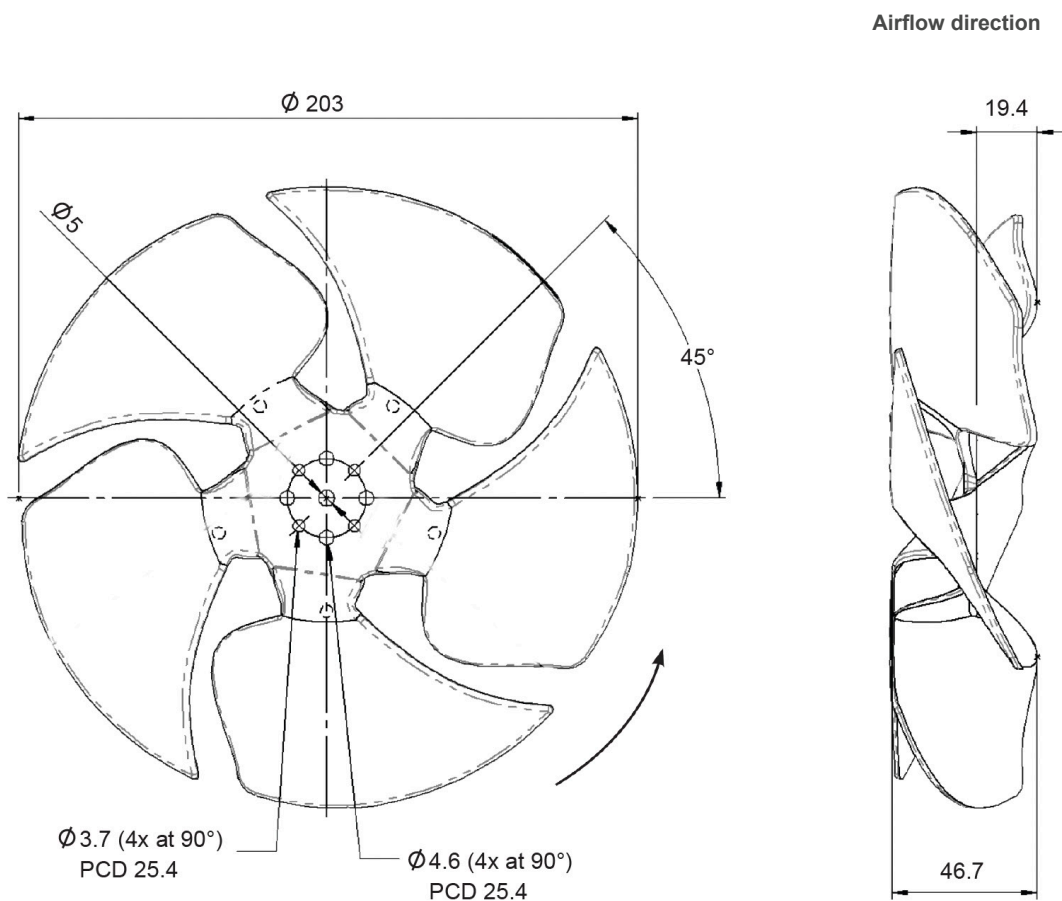
## 8 inches (203mm) HEF



	0 Pa (0 H2O)				25 Pa (0.1 H2O)				50 Pa (0.2 H2O)			
	1300	1550	1800	NSC*	1300	1550	1800	NSC*	1300	1550	1800	NSC*
Speed [rpm]	1300	1550	1800	NSC*	1300	1550	1800	NSC*	1300	1550	1800	NSC*
Airflow [m3/hr]	408	483	575	671	260	371	478	567	105	223	362	443
Airflow [cfm]	240	285	338	395	153	218	281	334	62	131	211	261
Input Power [W]*	5.3	8.1	11.7	17.2	7.3	10.2	14.2	19.2	10.7	13	17.6	21.4

\* With an ECR2 motor

## Dimensions



©2022 AoFrio Limited.

WT8670\_i3 03/20

Trademarks are (as applicable) 'TM' and © of AoFrio Limited. While all information in this document is believed by AoFrio Limited to be accurate and reliable, AoFrio Limited and its subsidiaries and affiliates and their directors, officers and employees are not responsible for any errors or omissions of any kind whatsoever, and to the maximum extent permitted at law, have no liability in tort, contract, or otherwise to any user and/or any third party.

E: [info@aofrio.com](mailto:info@aofrio.com) [www.aofrio.com](http://www.aofrio.com)