

Wellington® ECF 2 AB-2

High performance commercial refrigeration 250mm fanpack

- Universal voltage
- High efficiency
- Quiet operation
- Variable speed
- Removable power plug

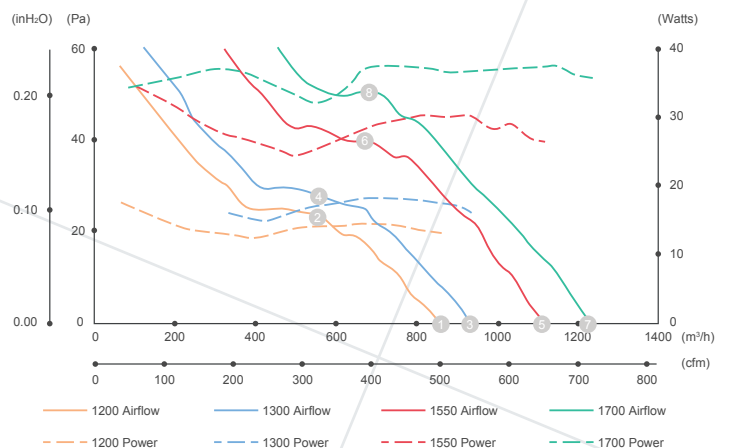


Specifications	
Nominal voltage	100-240V, 50-60Hz
Speed range	300-1700 RPM
Max. input power	39W
Max. input current	0.19A (@230V), 0.35A (@115V)
Max. Power factor	0.97
EMC protection	4000V (per EN61000-6-2)
Insulation class	Class B (130°C)
Electronic protection	Locked rotor and automatic thermal de-rating
Refrigerant compatibility	HFC, CO ₂ and hydrocarbon (per IEC 60335-2-89 Annex BB)
IP rating	IP67
Operating temp. range	-30°C to +50°C (-22°F to +122°F)
Storage temp. range	-40°C to +80°C (-40°F to +176°F)
Weight	1.1kg (2.4 lb)
Approvals	

¹ UL approval pending

Airflow

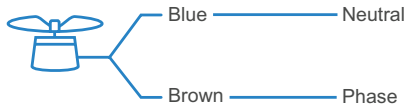
Speed (RPM)	Point	Airflow		Pressure		Power (W)
		(m ³ /h)	(cfm)	(Pa)	(H ₂ O)	
1200	1	858	505	0	0.00	13
	2	552	325	24	0.09	14
1300	3	936	551	0	0.00	16
	4	558	328	29	0.11	17
1550	5	1117	658	0	0.00	27
	6	695	410	40	0.16	29
1700	7	1231	725	0	0.00	36
	8	714	420	50	0.20	37



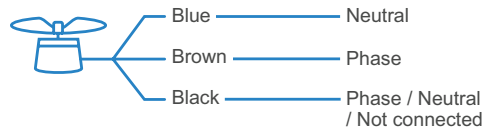


Wiring diagram

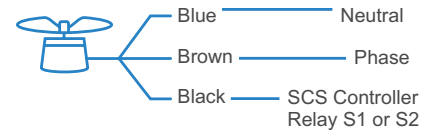
For single speed operation



For three speed or reversible operation



For variable speed operation



OEM options

- Preprogrammed or factory/field programmable speeds
- 3 speed, reversible, or timed-reverse options
- Realtime continuously variable speed control over third mains wire (no extra cables required)
- 3 speed, reversible, or timed-reverse options
- Custom cable and plug options
- Food Grade rated housing option

Mounting options

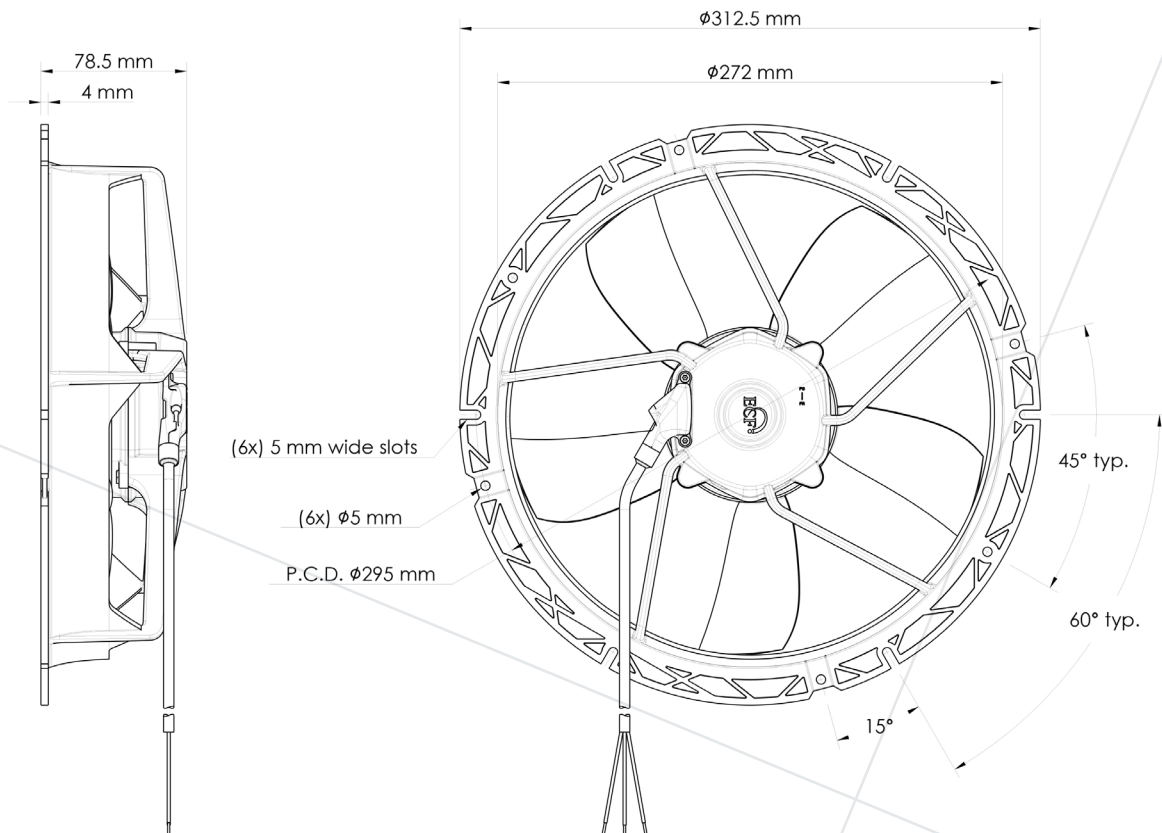
Metric:

- 6 x 5 mm holes at 295mm PCD (45° pitch)
- 4 x screw clip slots at 295mm PCD (90° pitch)

Imperial:

- 6 x 0.19" slots allowing for 11.6" to 12.1" PCD (60° pitch)

Dimensions



©2025 AoFrio Limited.

AO206_i1 03/25

Trademarks are (as applicable) 'TM' and © of AoFrio Limited. While all information in this document is believed by AoFrio Limited to be accurate and reliable, AoFrio Limited and its subsidiaries and affiliates and their directors, officers and employees are not responsible for any errors or omissions of any kind whatsoever, and to the maximum extent permitted at law, have no liability in tort, contract, or otherwise to any user and/or any third party.

E: info@aofrio.com www.aofrio.com